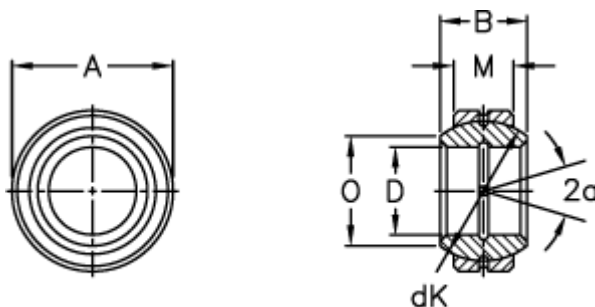


Article number: 03506070

Description: Fluro Rod end GE 70FO-2RS

Measures



Str. 6–12 uden smørerille

A	= 120 0 -0,015	Tilt angle = 16
B	= 70	Weight = 2900
D	= 70 0 -0,015	
dK	= 105	
Dynamic load C (kN)	= 400	
M	= 45	
O	= 78.2	
Static load C0 (kN)	= 2000	